

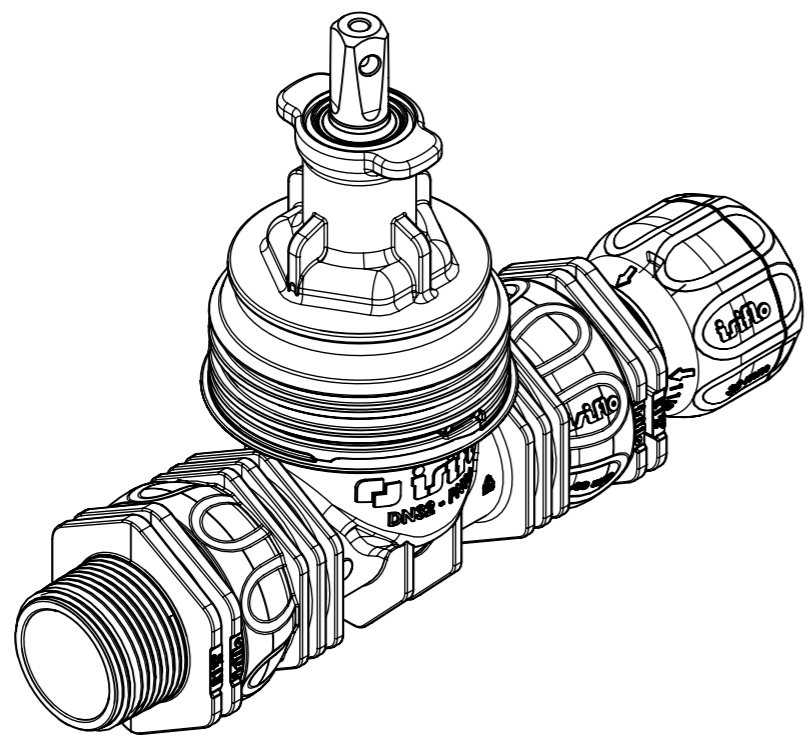
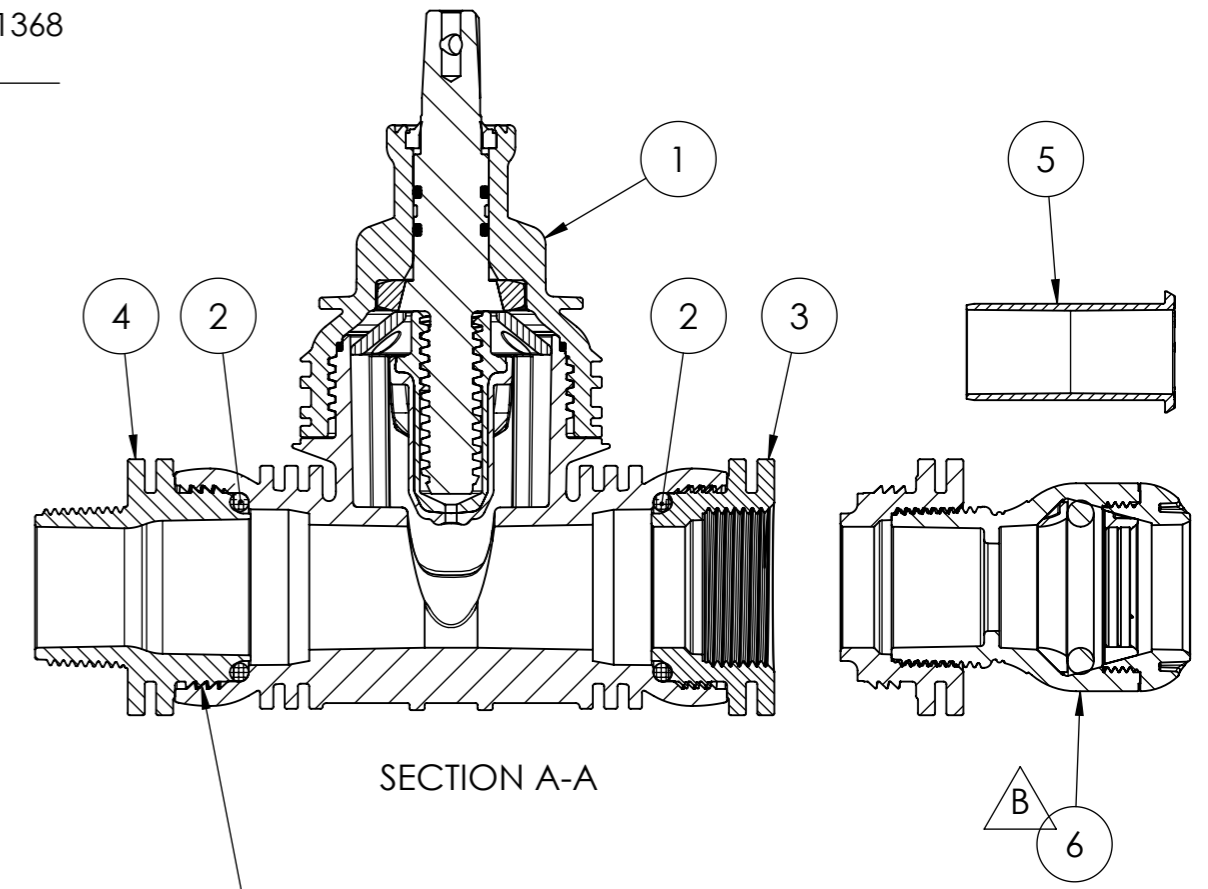
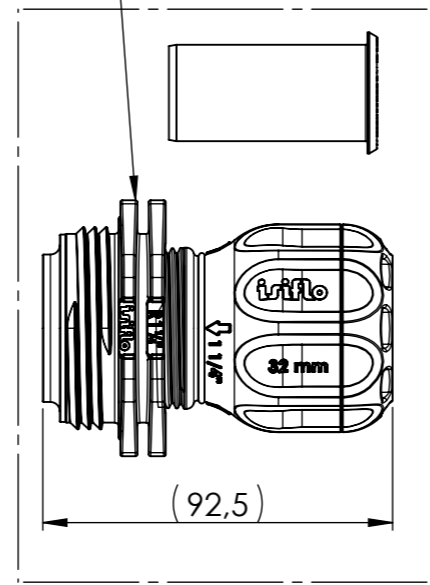
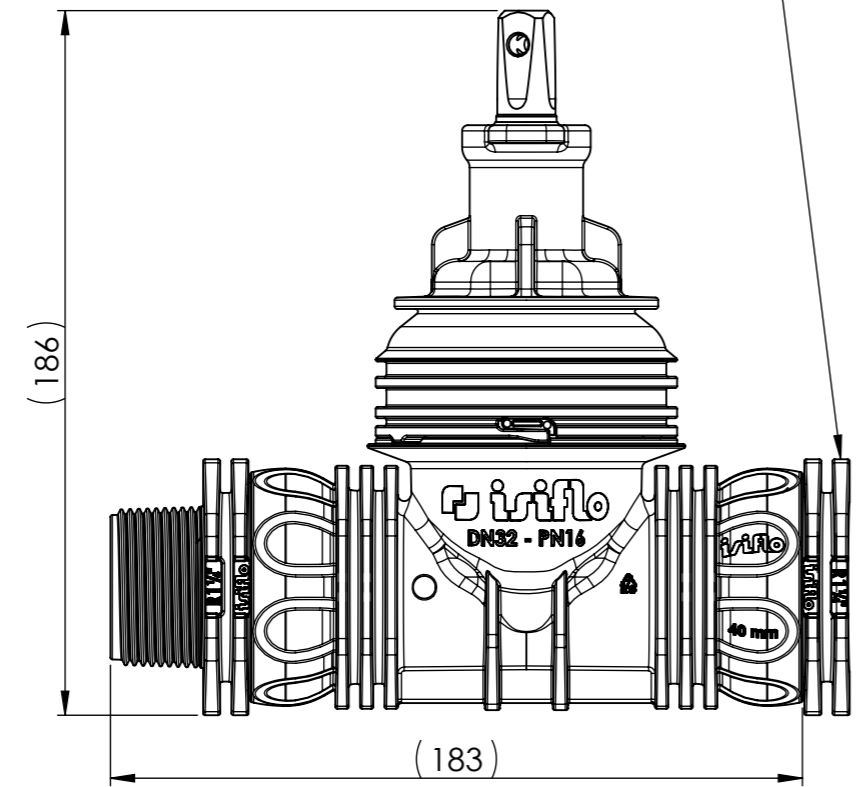
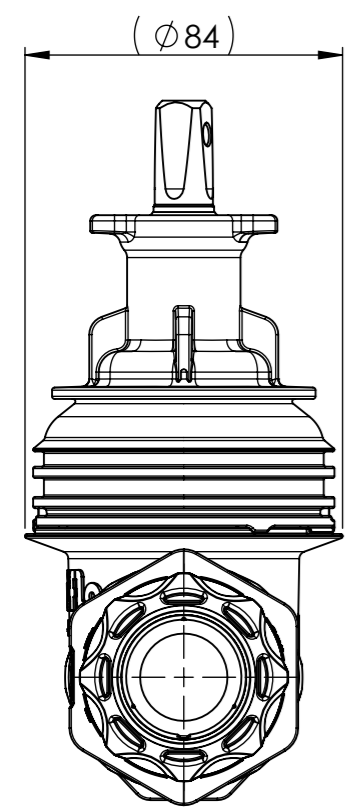
REV.	DESCRIPTION	ECO (Y/N)	REVISION BY / DATE	APPROVED BY / DATE
B	Replaced T148 adapter and Type 105 with pre assembled Type 136 adapter.		JSB / 22.03.09	AMU / 22.03.11

Premontert for bruk av anboringsverktøy.
Preassembled for use with tapping tool.

Delsammenstilling - 8211368
Subassembly - 8211368

Gjengeforbindelse skal limes med Loctite 638.
Thread connection to be glued with Loctite 638.

A
B
C
D
E
F



ITEM NO.	Part&Dim	QTY.	Material	Weight [g]	Volume [mm ³]	Article Number
6	Assembly 40mm x 32mm	1		161.40		8211368
5	Support liner 32x3,0 GW-SDR11	1	Grilamid LV-65H FWA	12.64	7658.39	8211804
4	Thread Adapter 40mm x R1 1/4"	1	PA-GF, RWG1014-820	84.02	52513.48	8212475
3	Composite to Thread Adapter 40 x 1 1/4"	1	PA-GF, RWG1014-820	56.58	35360.78	8212485
2	O-ring 40mm (40x5mm)	2	Rubber-W, RWG1015-820	2.94	2775.83	3059240
1	Gate Valve 40mm Pre assembly	1		1413.82		3087005

TOTAL WEIGHT ASSEMBLY [g]: 1734.34		NOTE:				
CAD:		GENERAL TOLERANCE	SCALE			FINISH
		1:2				
DESIGNER / DATE		Jonas Solhaug Bossum / 22.01.07				
PART & DIMENSION:		Type 200 Tapping valve 40mm assembly		ARTICLE / DRAWING NUMBER: 8212995		
PRODUCT GROUP:		Isiflo ECO LINE		REFERENCE DRAWING:	REV.: B	
				SHEET 1 OF 1	A3	

This drawing is property of ISIFLO AS.
 The right to use this drawing /
 description belongs to ISIFLO AS.
 The drawing must not be copied,
 distributed or submitted to persons
 not concerned.