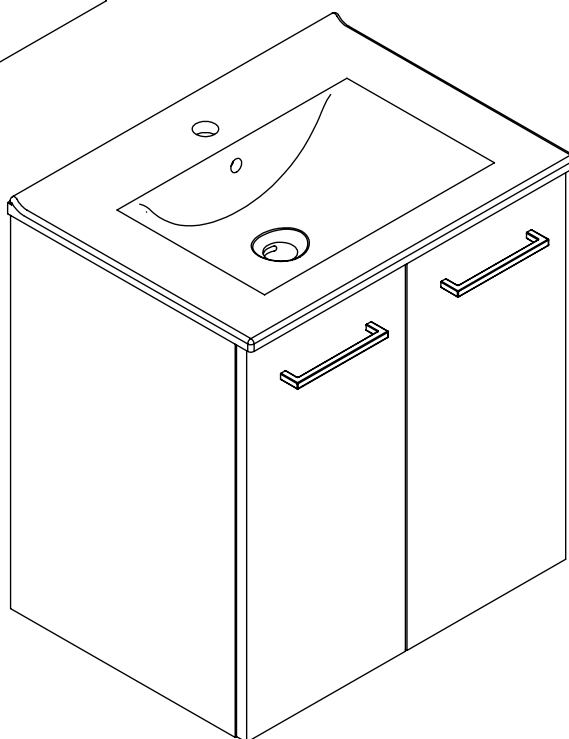
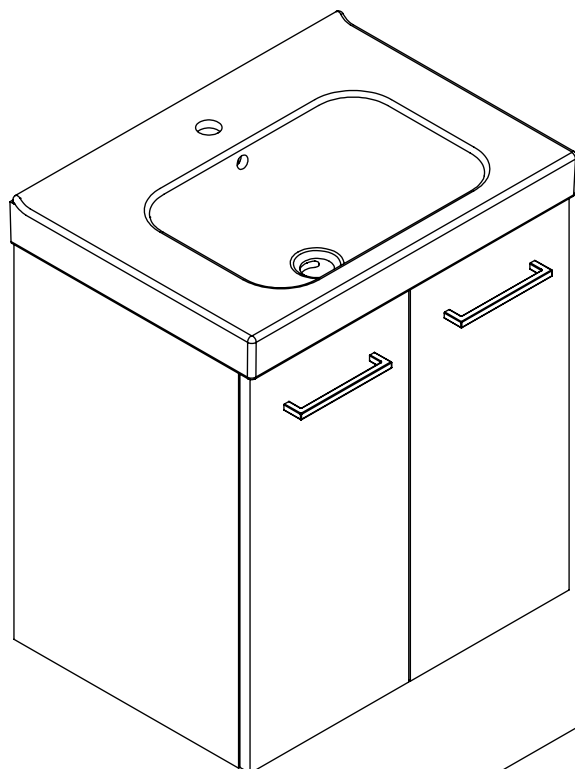
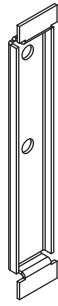


# 1904 VOSS





8x  
5-500



2x  
546500046



8x  
5,0-60SU



6x  
415533



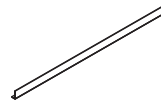
2x/4x  
3,5-15SU



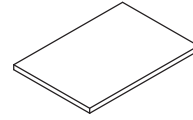
2x/4x  
190040735



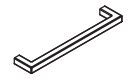
2x  
19500000



2x  
546400x10



1x  
3038x0x47



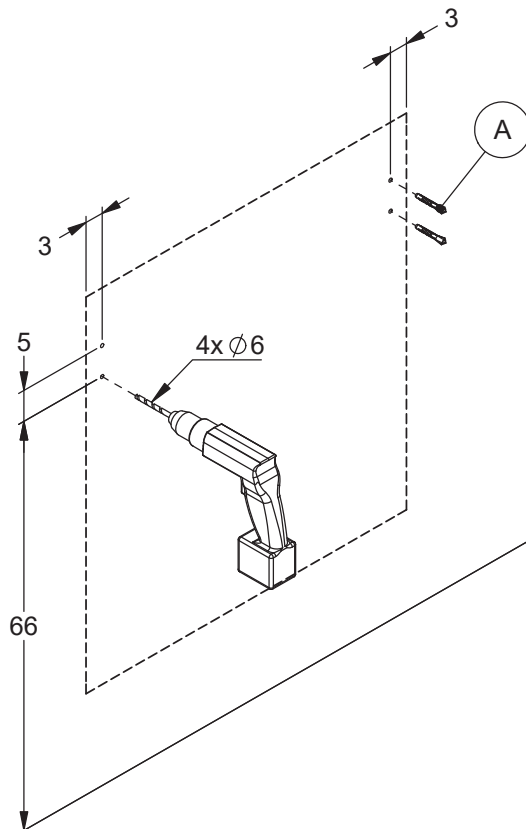
1x/2x  
189547243

# 1

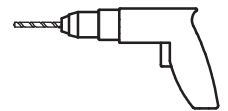
A



4x  
5-500



1



2



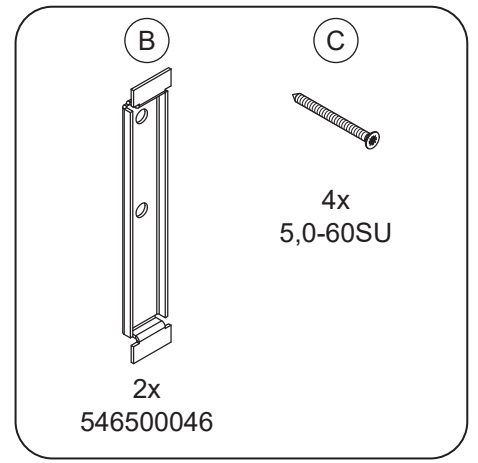
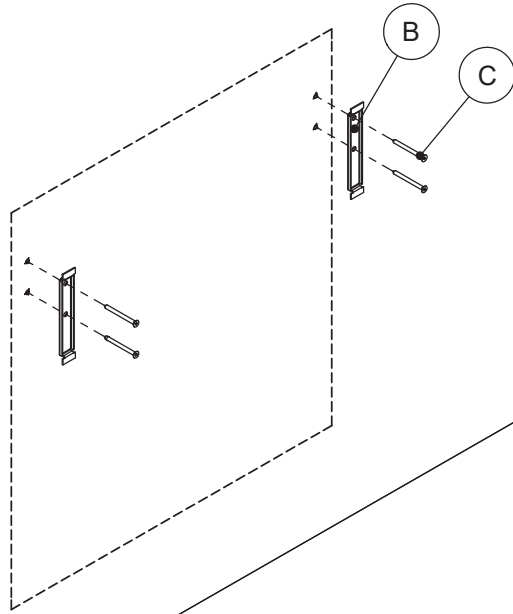
3



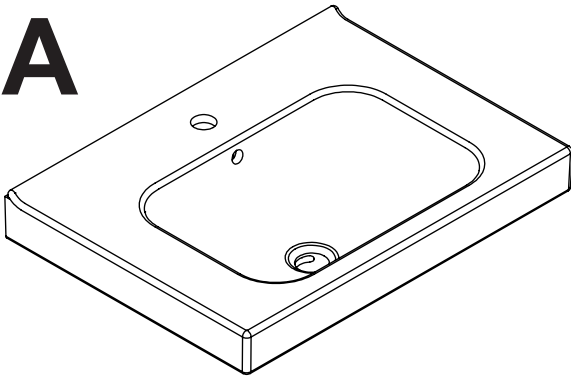
4



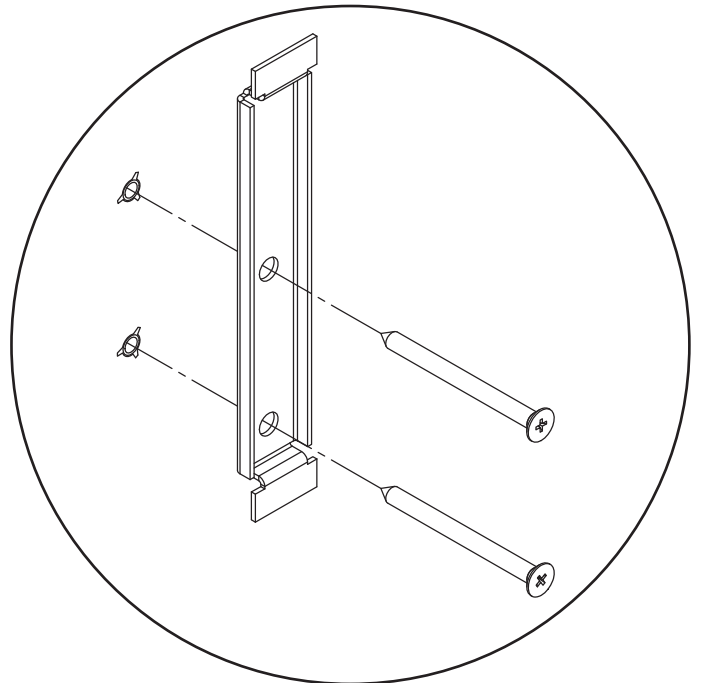
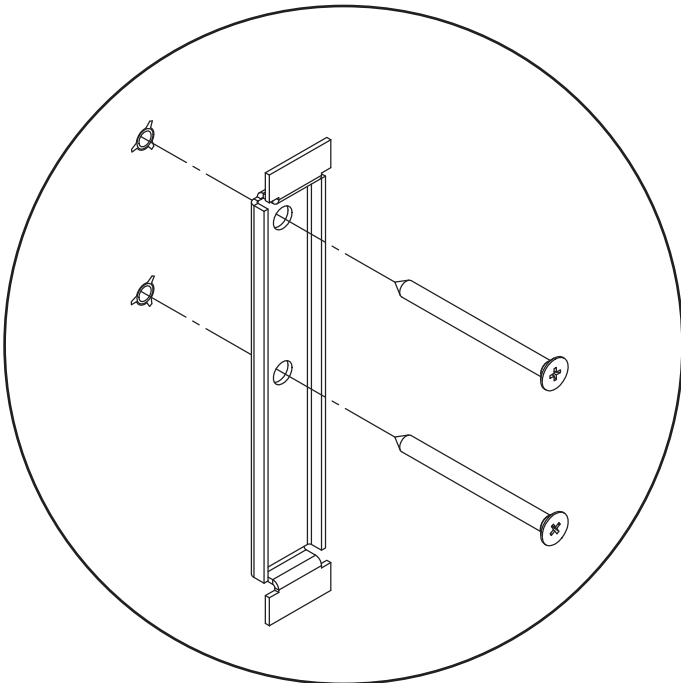
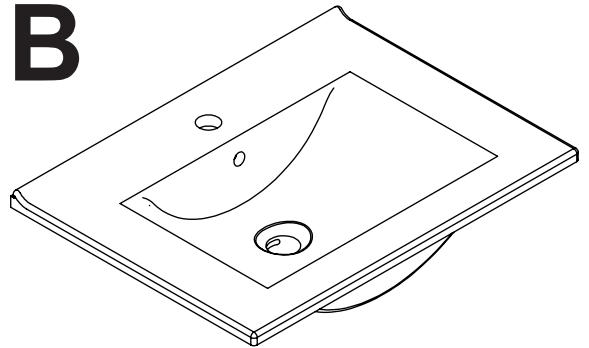
# 2



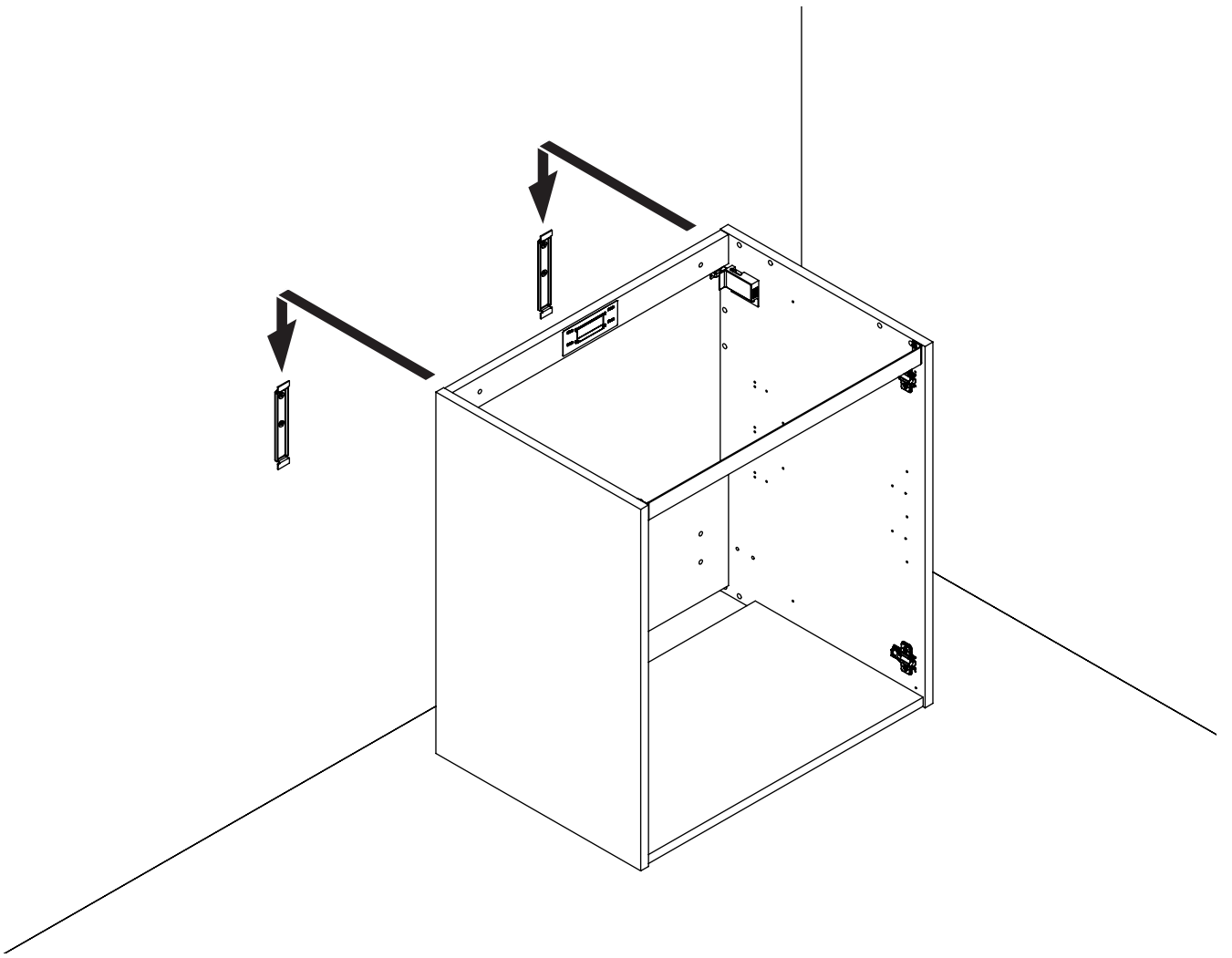
## A



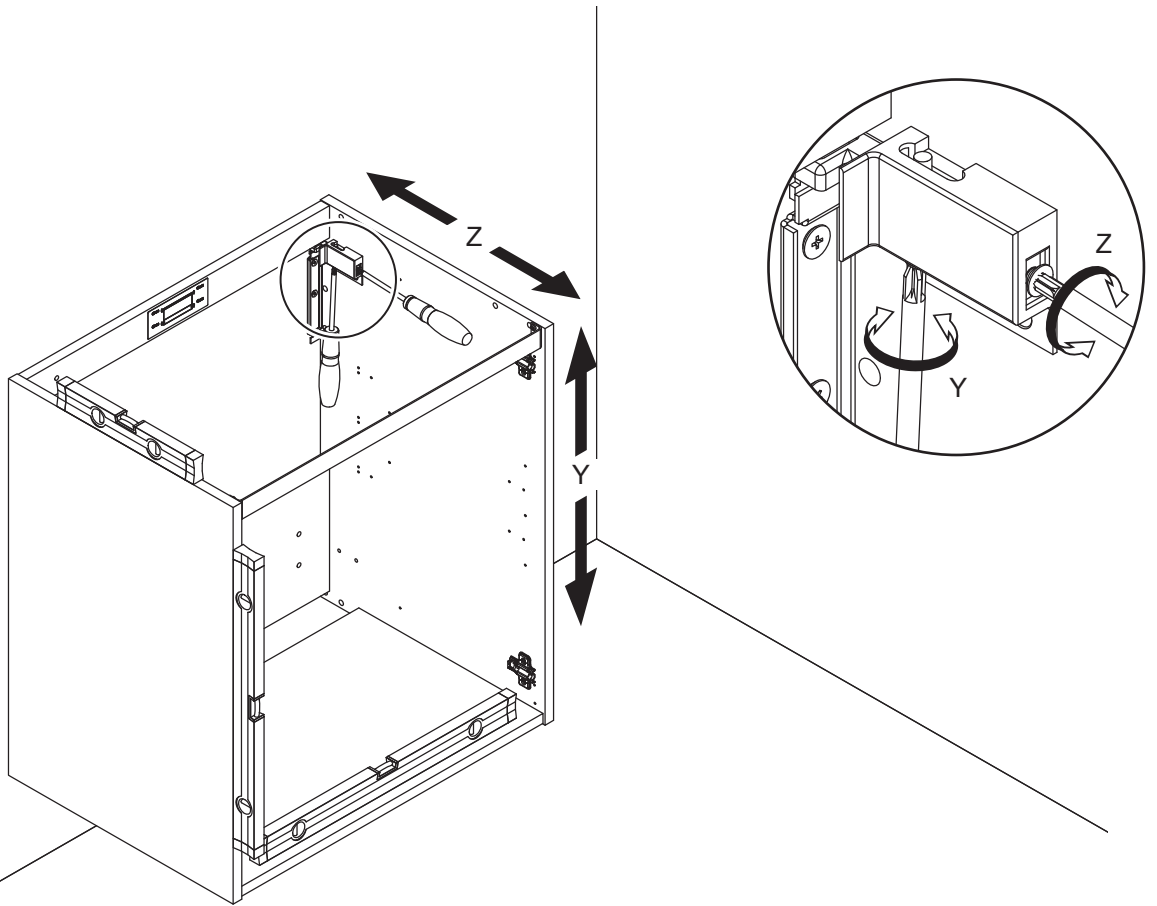
## B



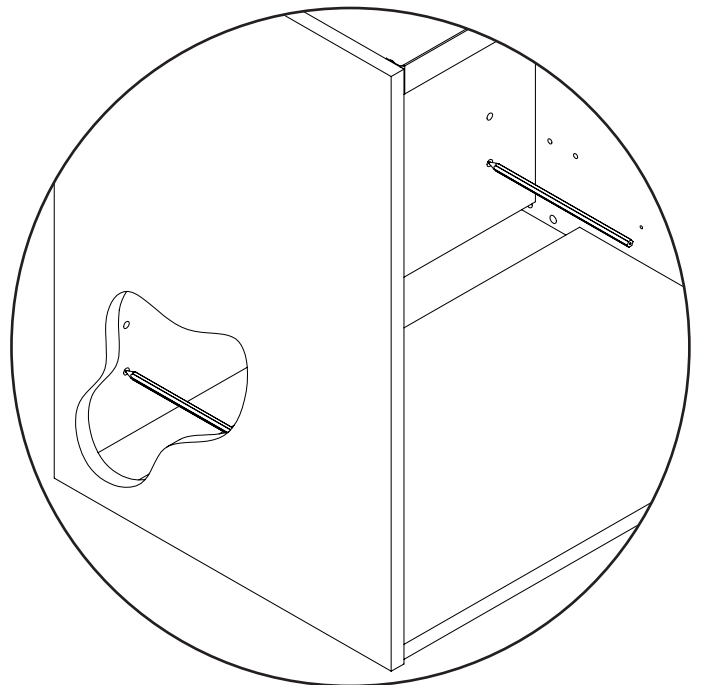
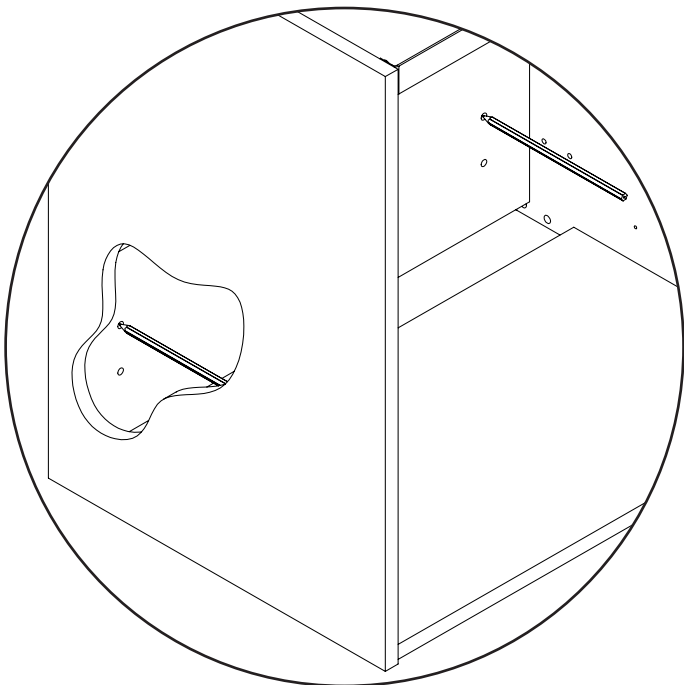
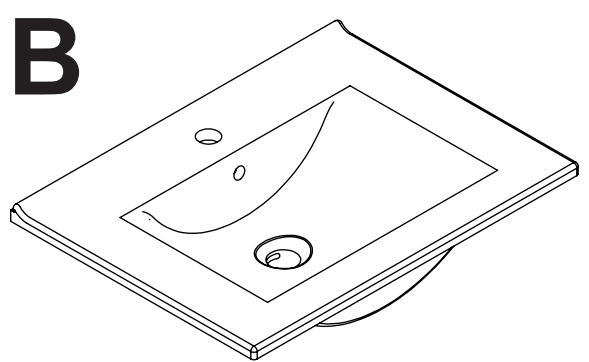
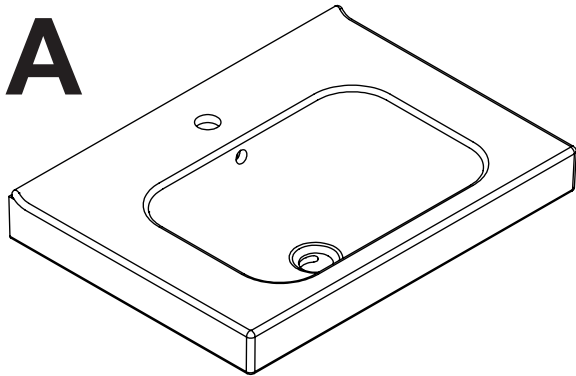
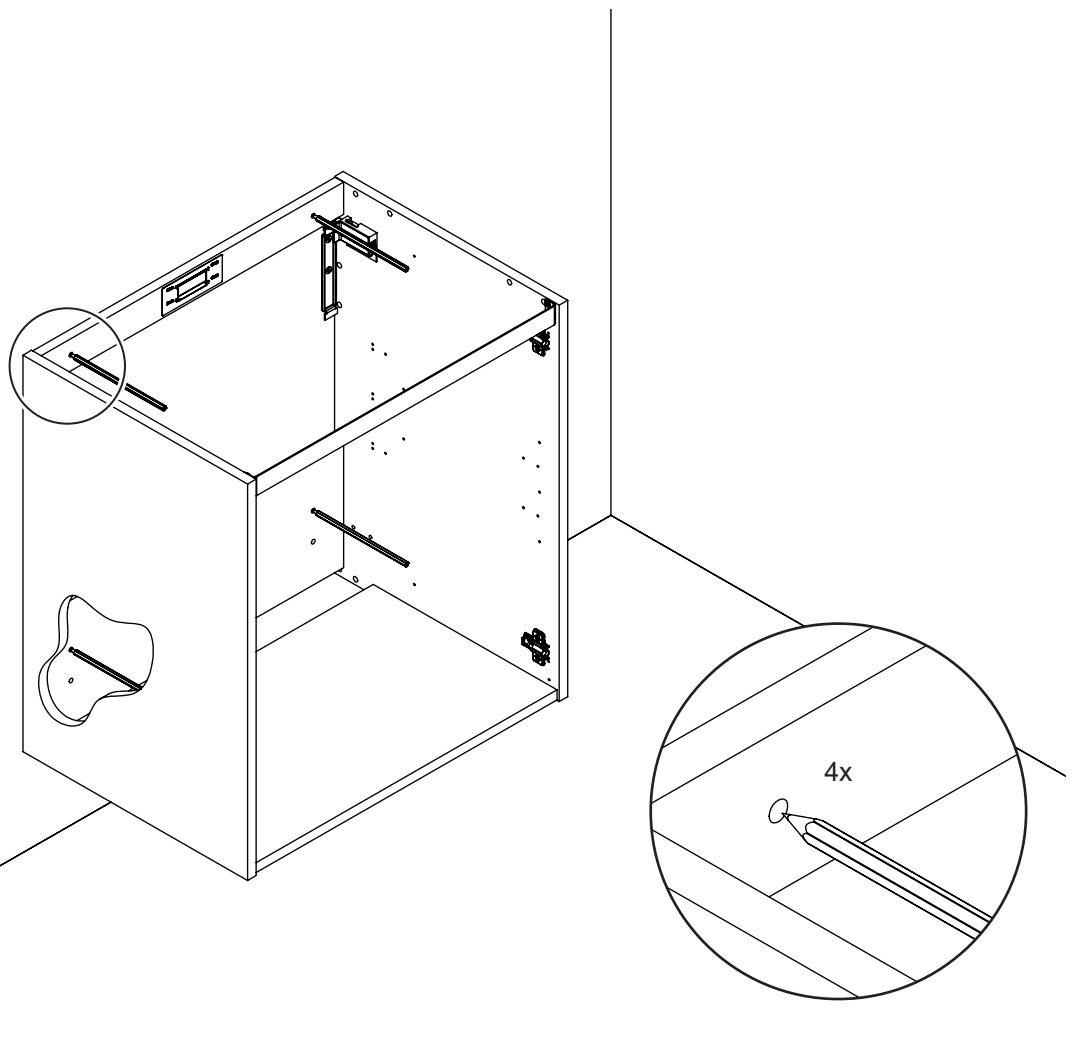
3



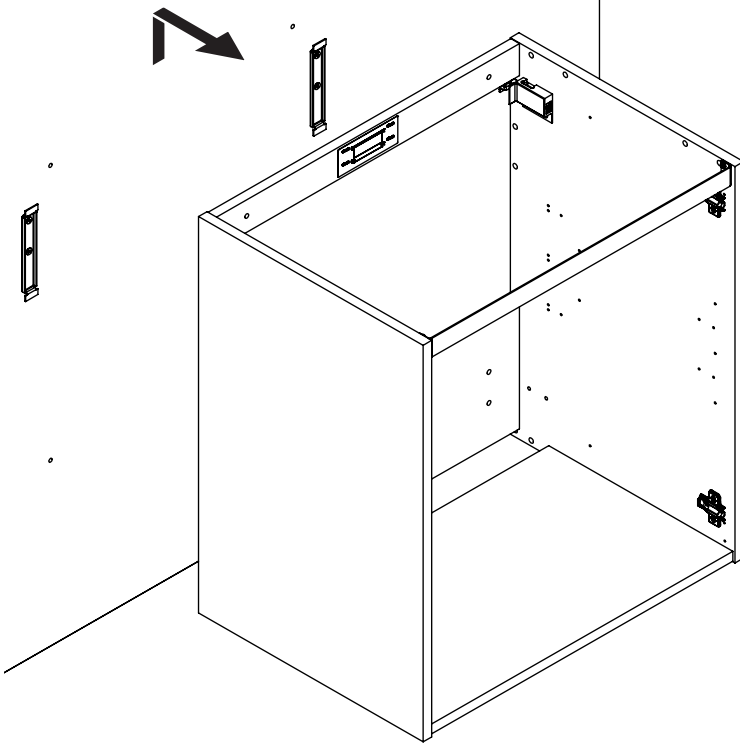
4



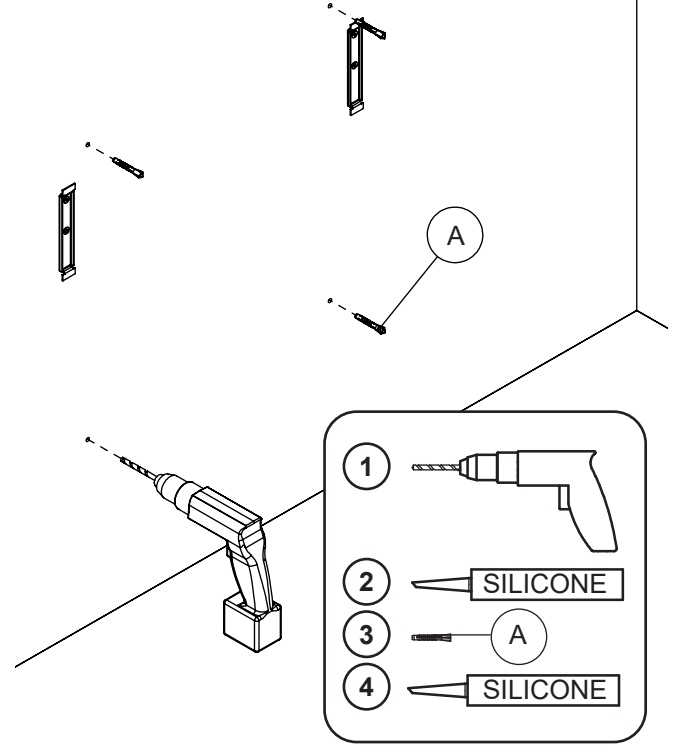
5



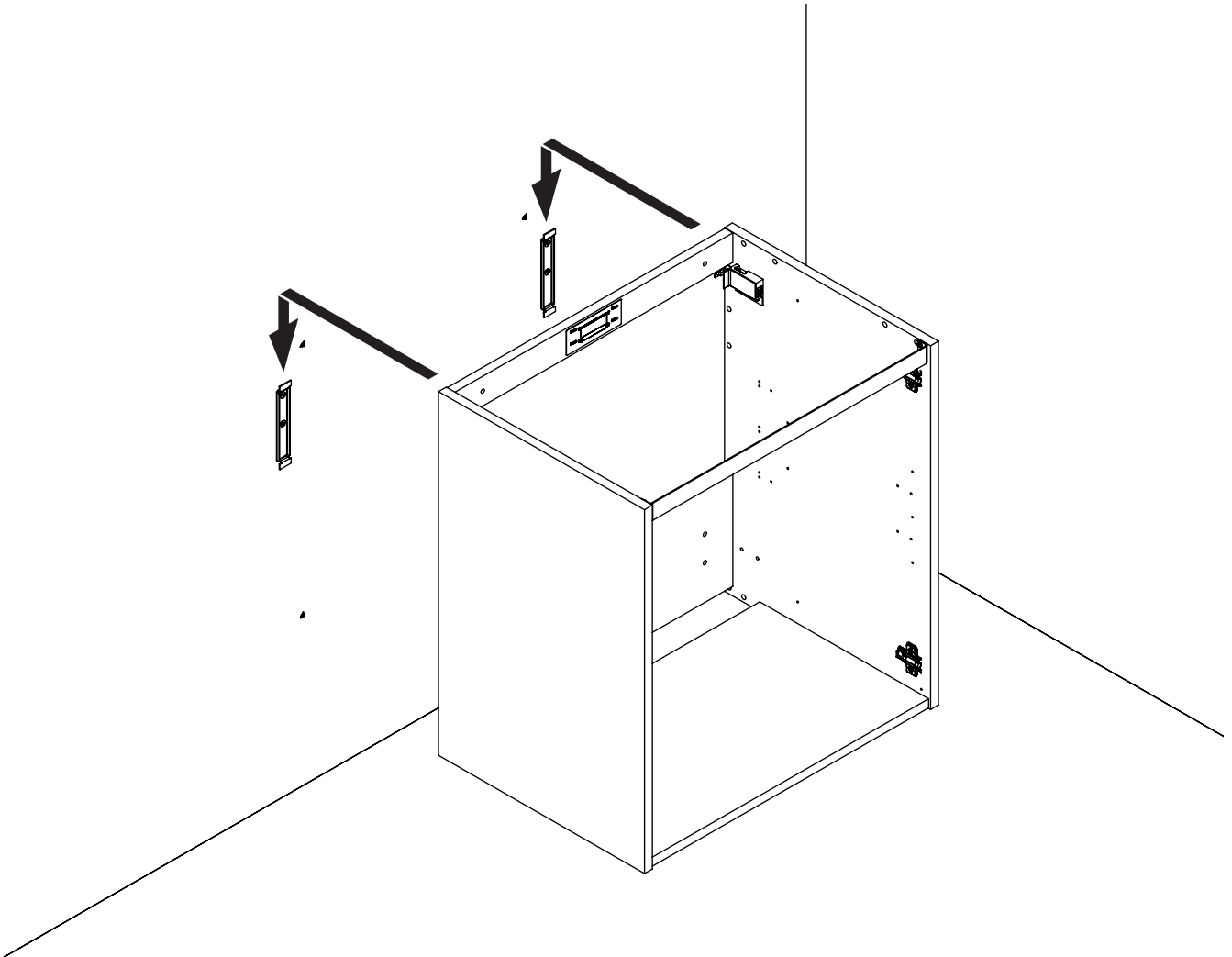
6



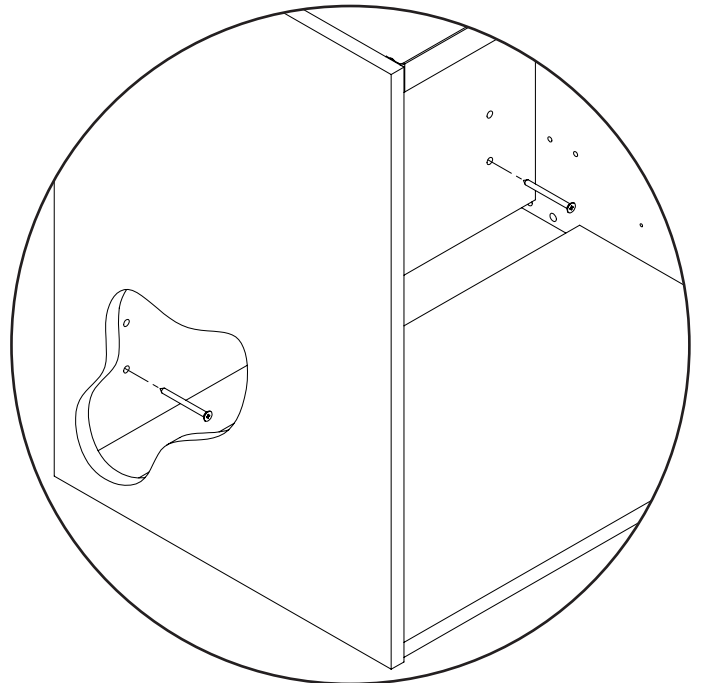
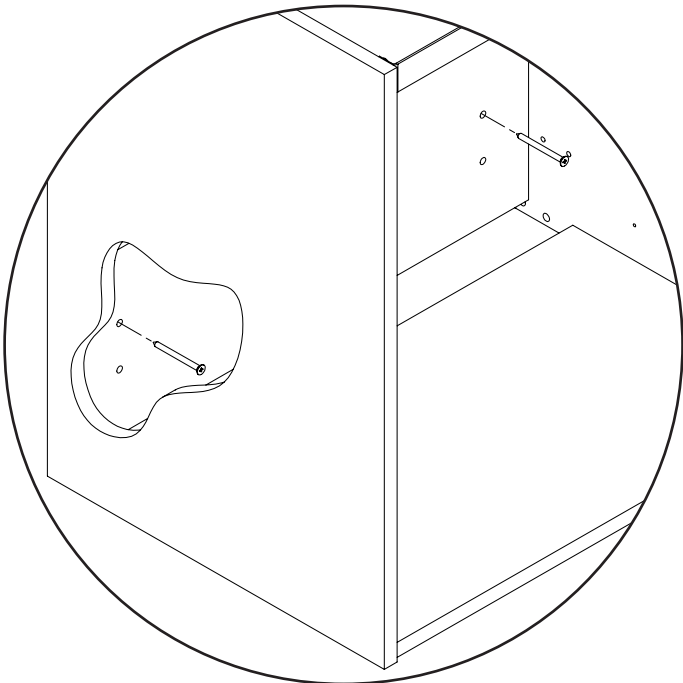
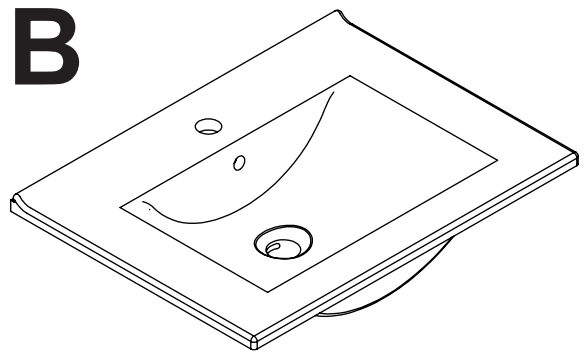
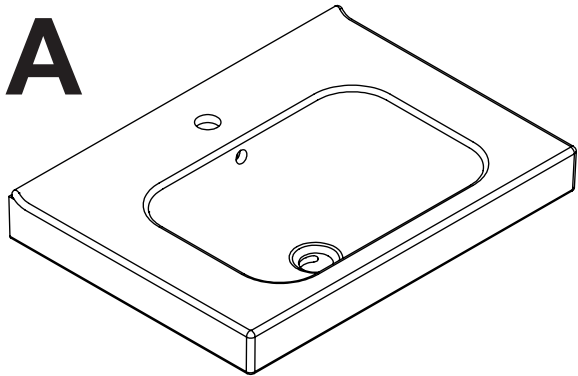
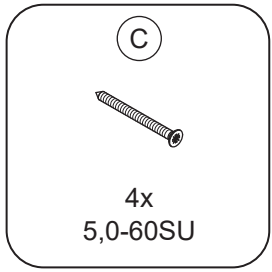
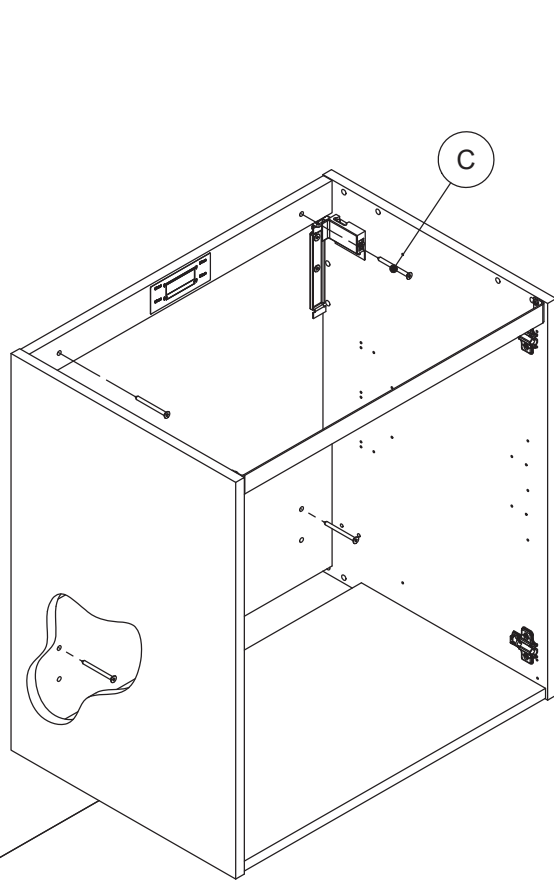
7



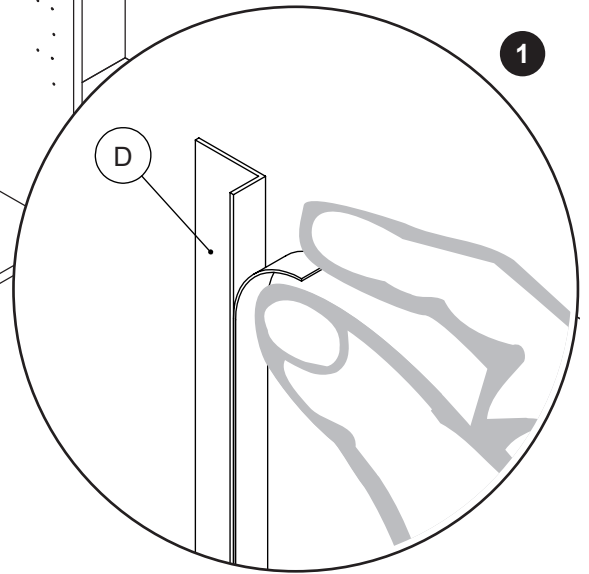
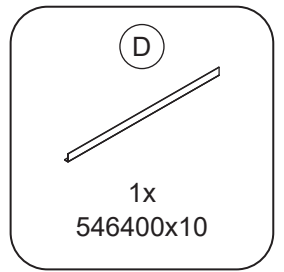
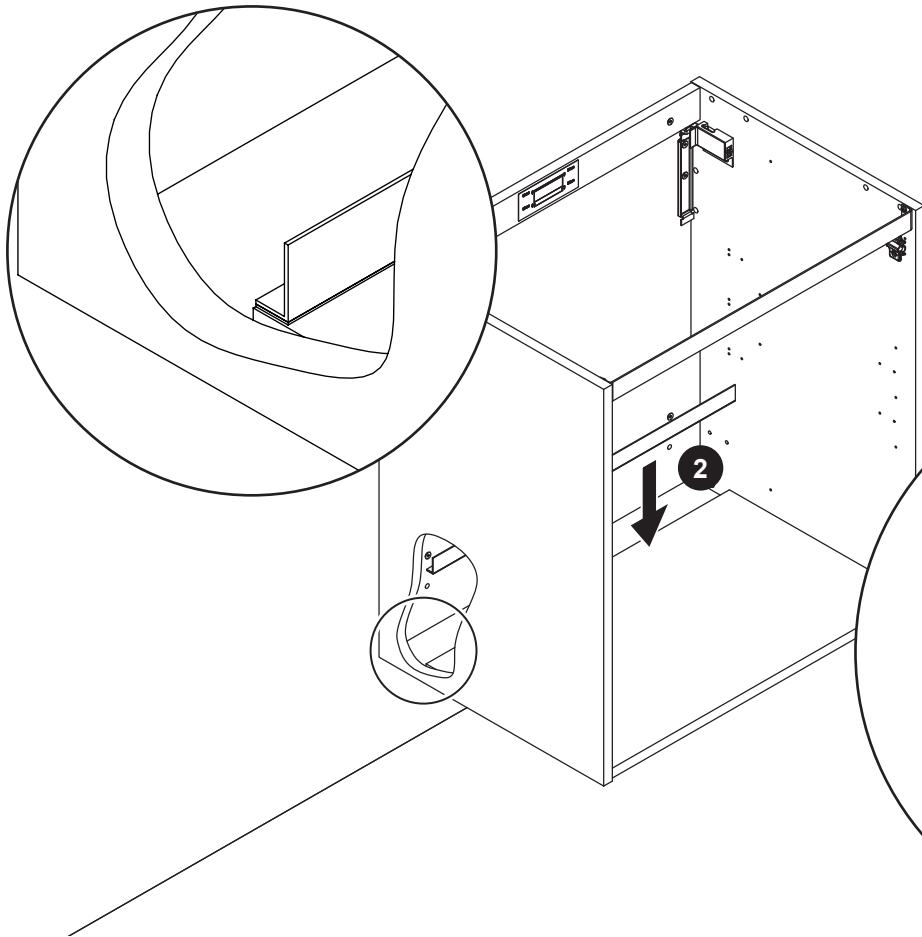
8



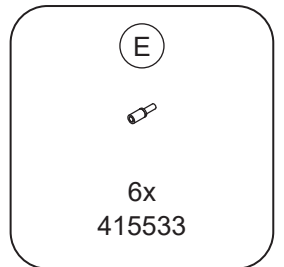
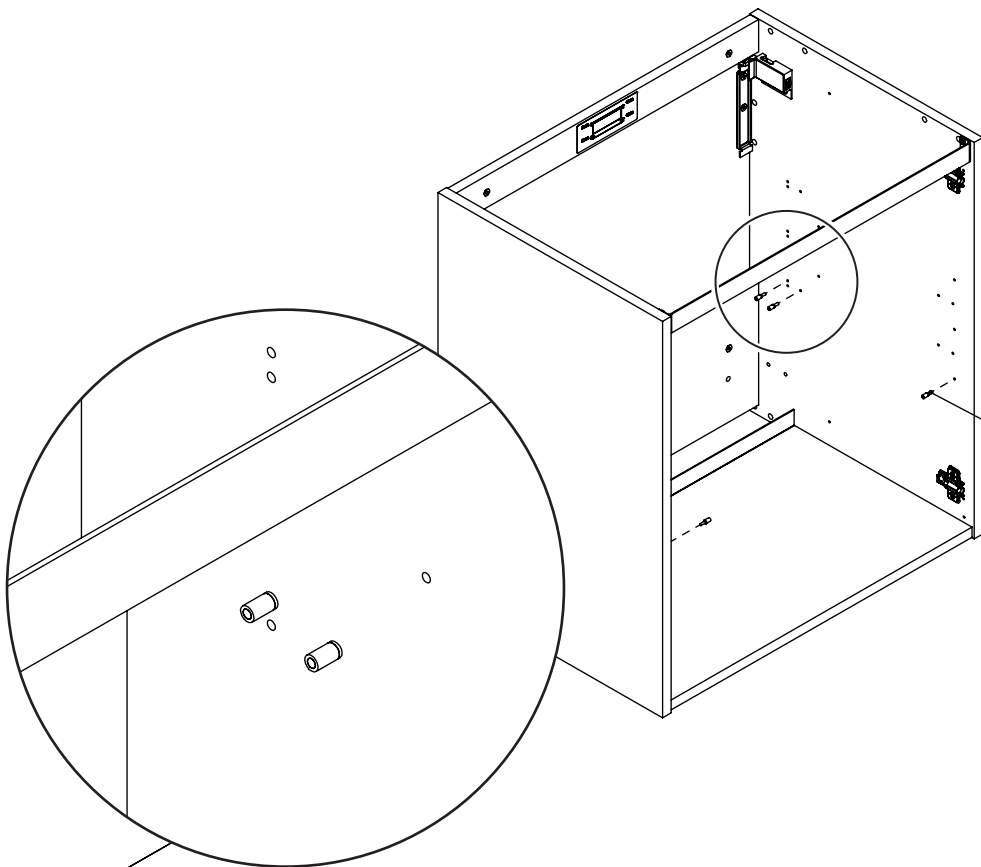
9



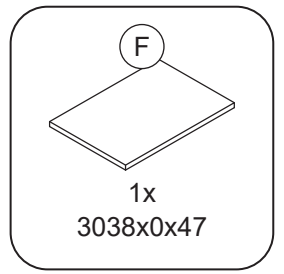
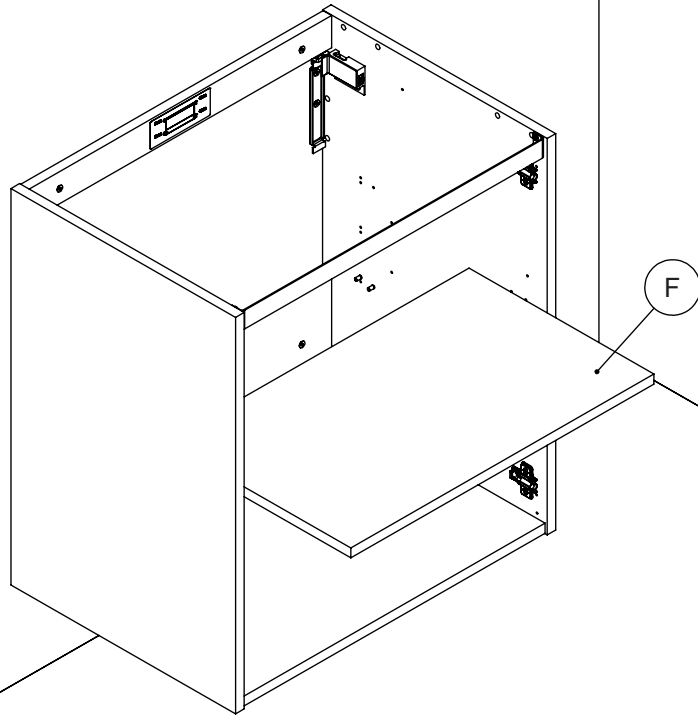
# 10



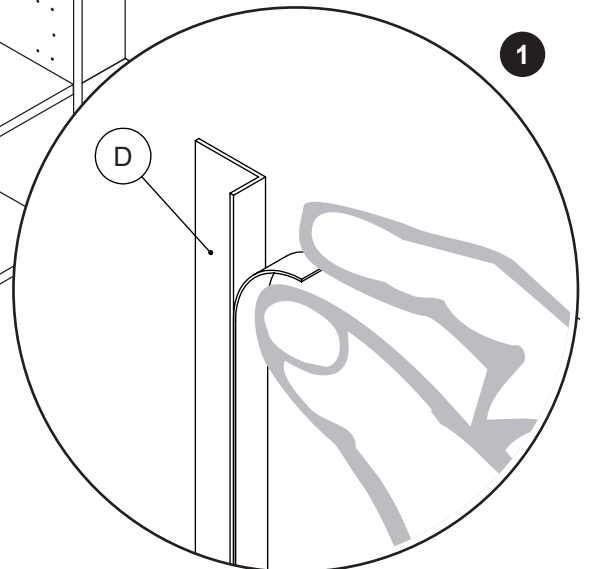
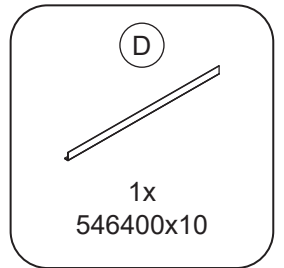
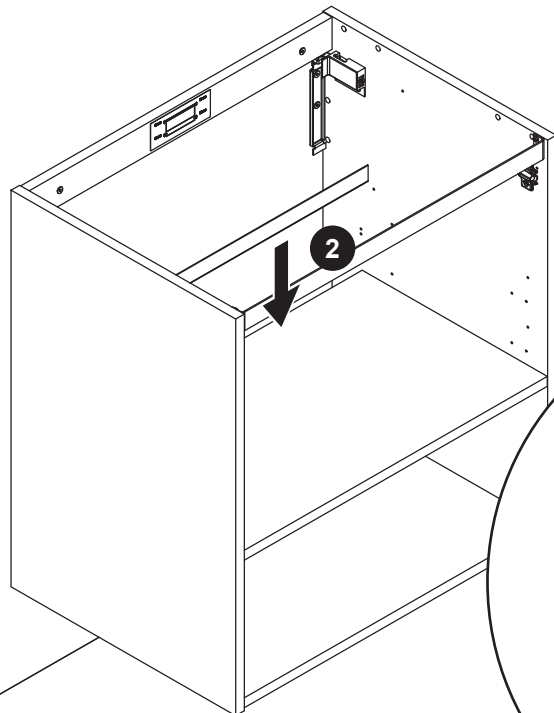
# 11

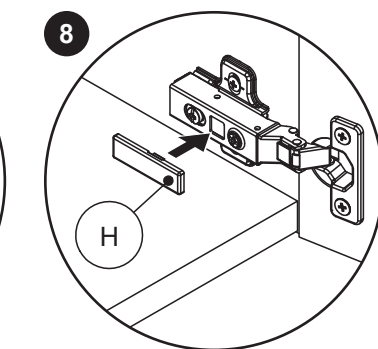
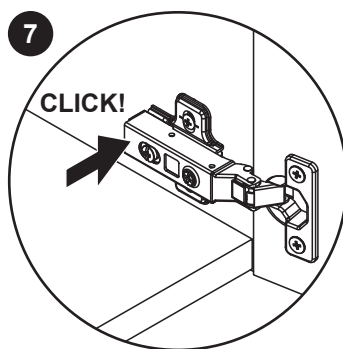
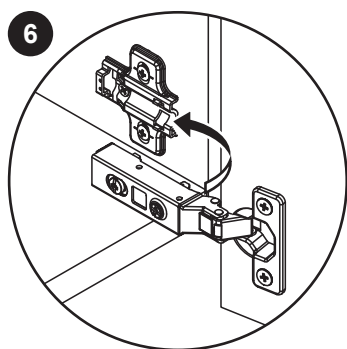
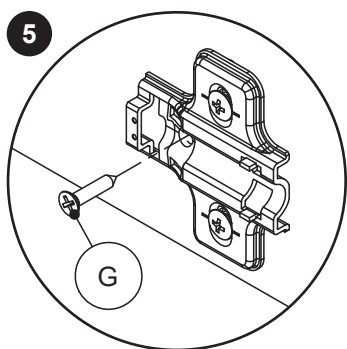
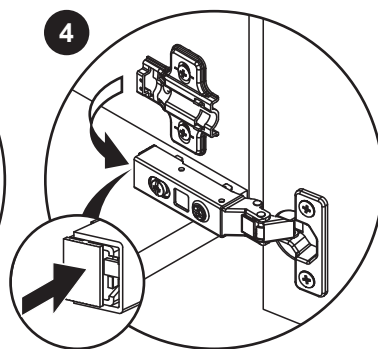
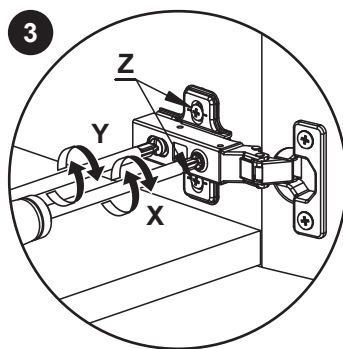
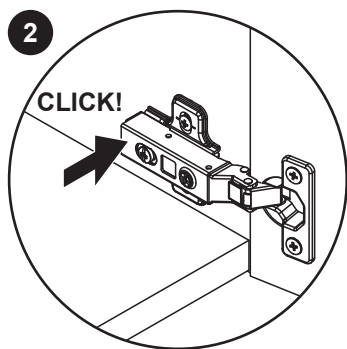
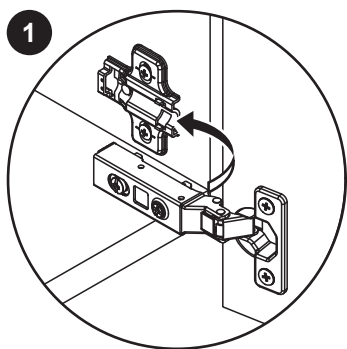
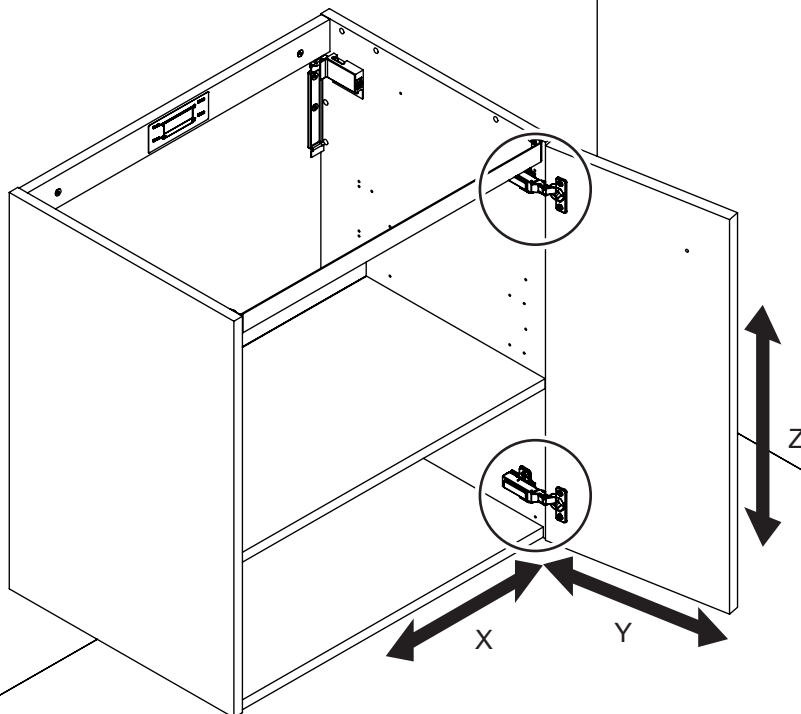
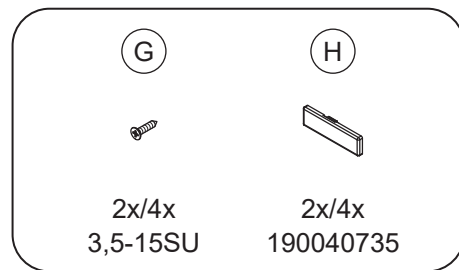


# 12

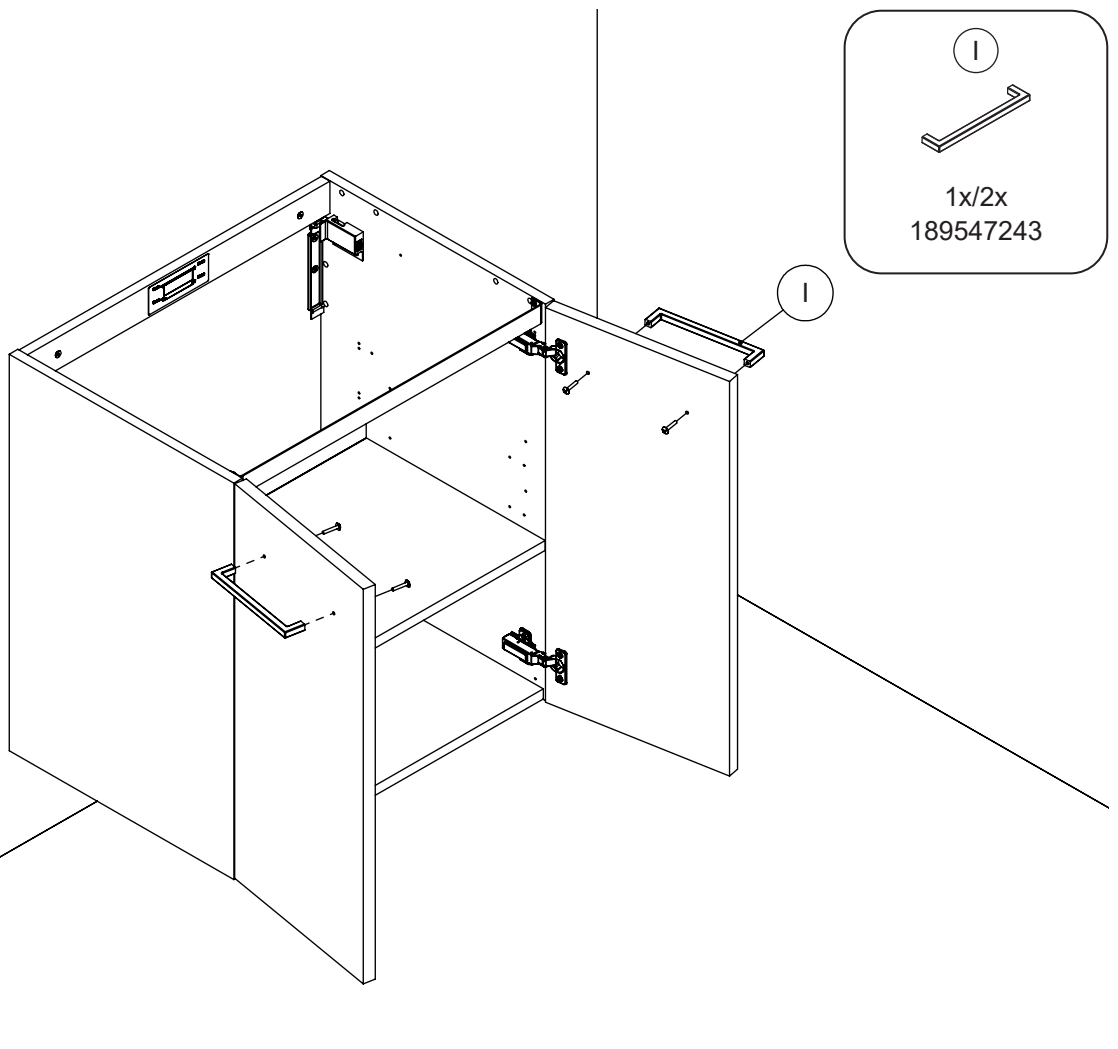


# 13

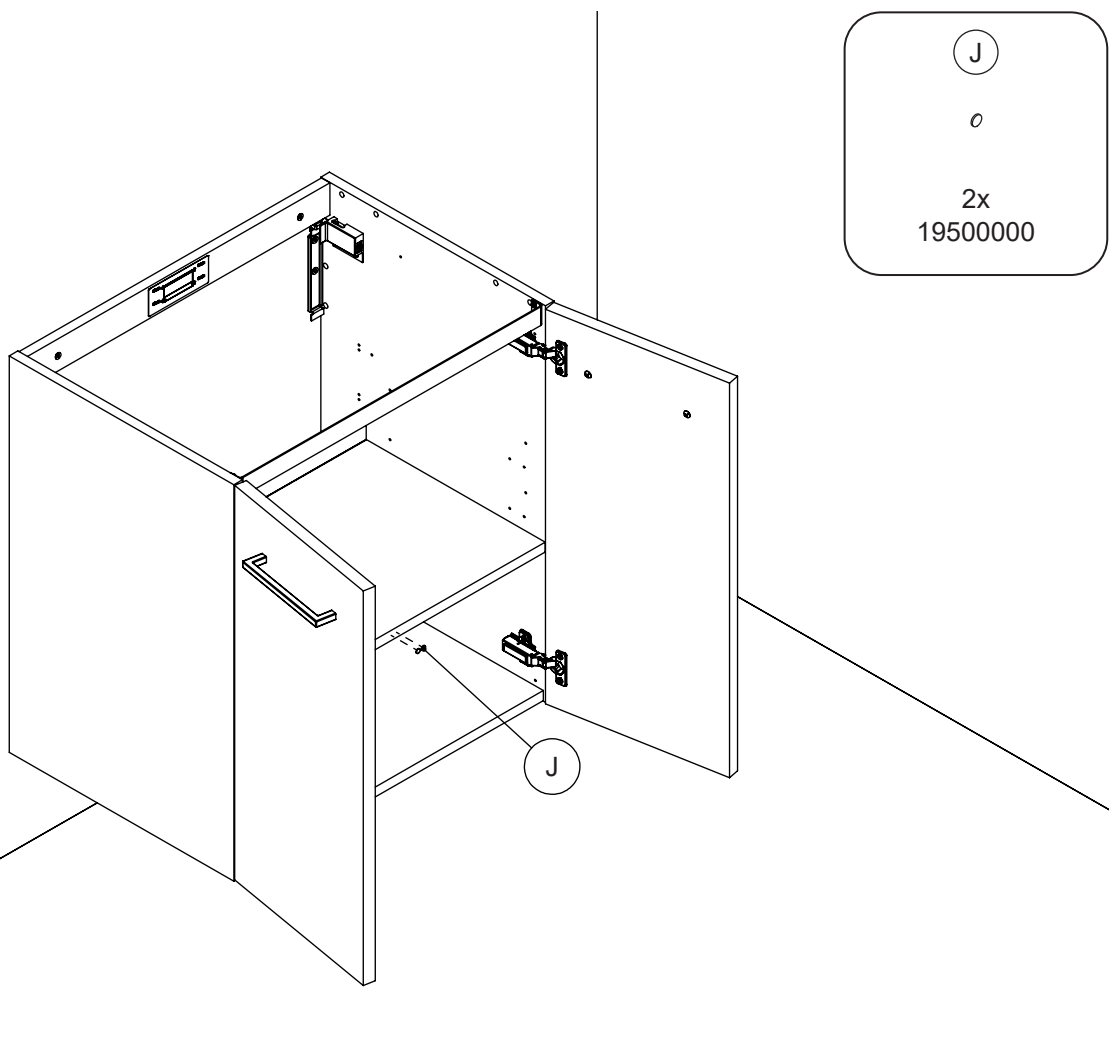




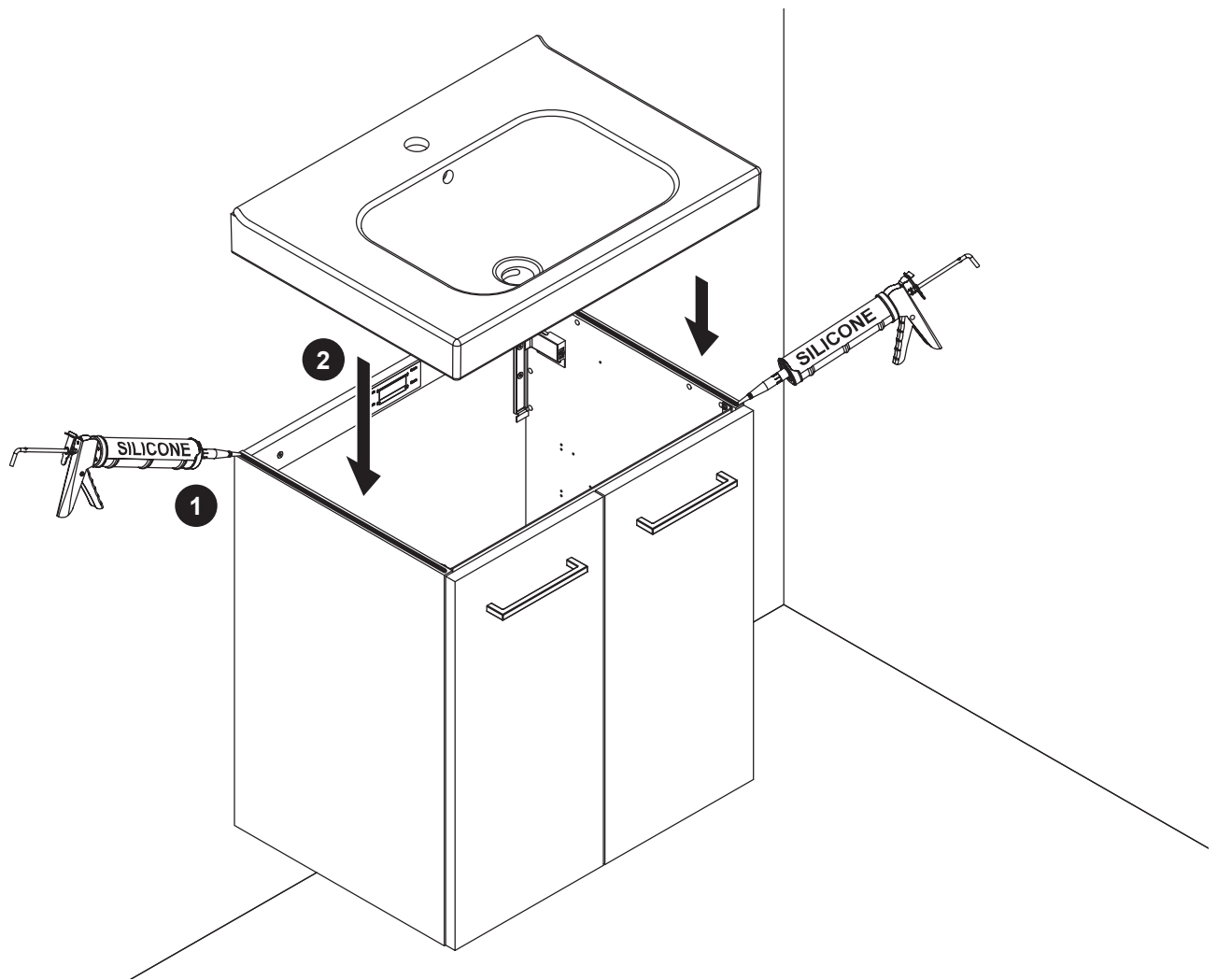
# 15



# 16



# 17



# 18

